

NEW

DL-110DC

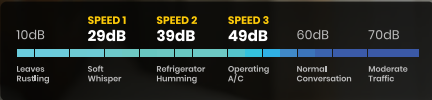
Low Profile Series

Powered By



Quiet Operation

Designed to deliver optimal airflow while maintaining a quiet and comfortable living space.



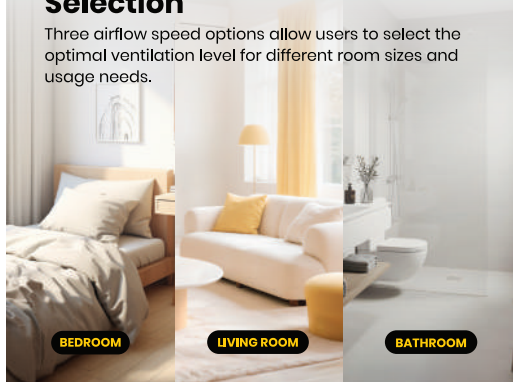
Energy-Saving DC Motor

Powered by a high-efficiency DC motor consuming as low as 4W, delivering effective ventilation performance with significantly lower energy usage.



Flexible 3-Speed Airflow Selection

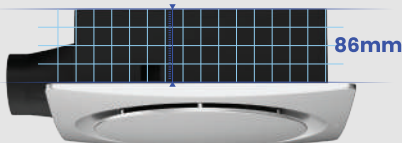
Three airflow speed options allow users to select the optimal ventilation level for different room sizes and usage needs.



BEDROOM

LIVING ROOM

BATHROOM



Slim Metal Body

Compact metal construction is ideal for narrow ceiling spaces while maintaining a premium and durable build.



Model	DL-110DC						
Motor Speed (RPM)	450 - 1080						
Power Consumption (W)	<table border="1"> <tr> <td>1 SPEED</td> <td>4</td> <td>2 SPEED</td> <td>9</td> <td>3 SPEED</td> <td>20</td> </tr> </table>	1 SPEED	4	2 SPEED	9	3 SPEED	20
1 SPEED	4	2 SPEED	9	3 SPEED	20		
Air Flow (CFM)	<table border="1"> <tr> <td>1 SPEED</td> <td>50</td> <td>2 SPEED</td> <td>80</td> <td>3 SPEED</td> <td>110</td> </tr> </table>	1 SPEED	50	2 SPEED	80	3 SPEED	110
1 SPEED	50	2 SPEED	80	3 SPEED	110		
Noise Level (dB)	<table border="1"> <tr> <td>1 SPEED</td> <td>29</td> <td>2 SPEED</td> <td>39</td> <td>3 SPEED</td> <td>49</td> </tr> </table>	1 SPEED	29	2 SPEED	39	3 SPEED	49
1 SPEED	29	2 SPEED	39	3 SPEED	49		
Front Panel (MM)	328 x 328						
Mounting Hole Size (MM)	270 x 270						
Weight (Kg)	2.55						
Motor Type	DC Motor						
Installation Type	Ceiling Mounted						
Warranty	7 Years						

Panel Color

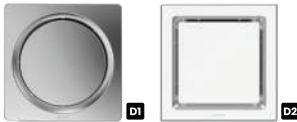


White Color



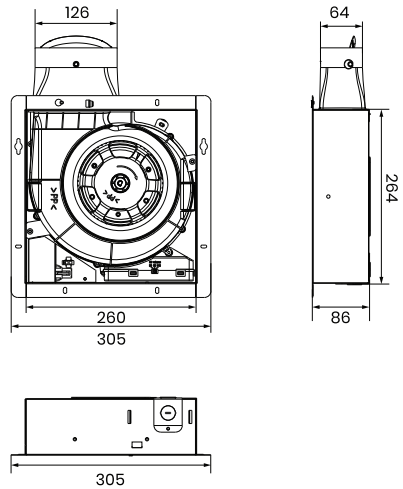
Silver Color

Panel Design



Clean, minimalist panel design for a seamless look.

Dimensions



Optional Accssories



WVK-2BR

- 4 Meter Duct Hose
- External Round Louver 4"

MEASUREMENT IN MILLIMETER